



Product certificate K6270/04

Issued 2017-08-01

Replaces K6270/03

Page 1 of 3

Laboratory taps

STATEMENT BY KIWA

With this product certificate, issued in accordance with the Kiwa Regulations for Product Certification, Kiwa declares that legitimate confidence exists that the products supplied by

Broen-Lab A/S

as specified in this product certificate and marked with the Kiwa[®]-mark in the manner as indicated in this product certificate may, on delivery, be relied upon to comply with Kiwa evaluation guideline BRL-K608/04: "Laboratory taps", dated 01-02-2012.

Luc Leroy
Kiwa

288170315

Publication of this certificate is allowed.

Advice: consult www.kiwa.nl in order to ensure that this certificate is still valid.

Kiwa Nederland B.V.

Sir Winston Churchilllaan 273

P. O. Box 70

2280 AB RIJSWIJK

The Netherlands

Tel. +31 88 998 44 00

Fax +31 88 998 44 20

info@kiwa.nl

www.kiwa.nl

Company

Broen-Lab A/S

Skovvej 30

5610 ASSENS

Denmark

Tel. +45 6471 2095

Fax +45 6471 2476

www.broen.com

Certification process
consists of initial and
regular assessment of:

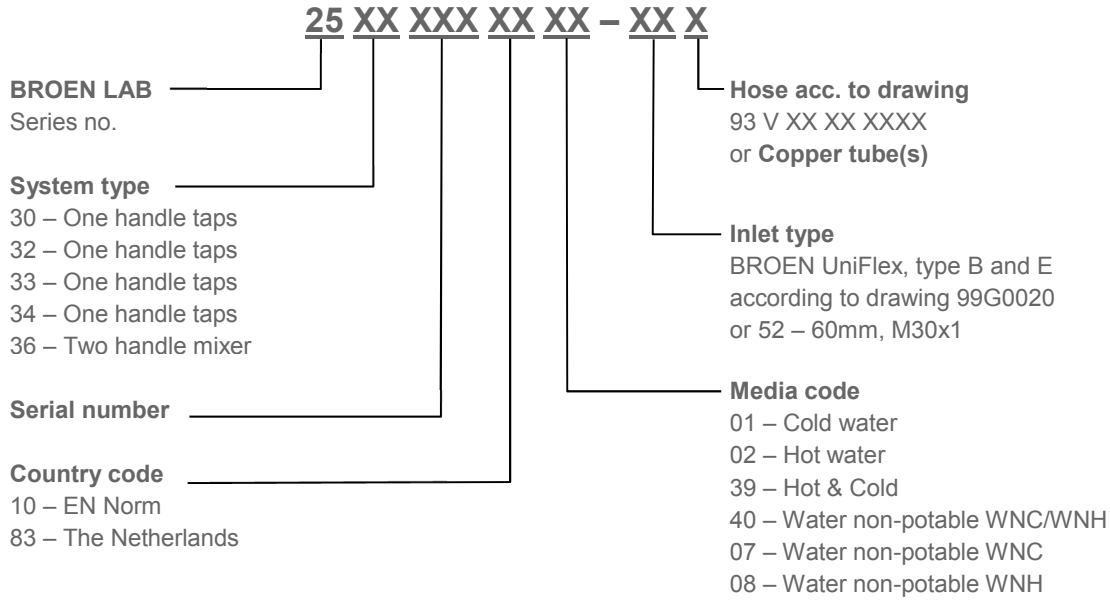
- quality system
- product

Laboratory taps

PRODUCT SPECIFICATION

The products mentioned below belong to this certificate.

BROEN Uniflex 25 series:



Laboratory taps

APPLICATION AND USE

The laboratory taps are designed for the application in drinking water installations with a working pressure from 50 kPa up to 1000 kPa and a maximum water temperature of 90°C.

The recommended limits for correct operation are a working pressure of 100 kPa up to 500 kPa and a water temperature of maximum 65°C.

REMARK

The specified products were not assessed for compliance with all aspects as inserted in the "drinkwaterbesluit" and outlined in the "Regeling materialen en chemicaliën drink- en warm tapwatervoorziening (implemented 19 July 2011)". The products shall be examined for compliance with this regulation within the applicable transition period.

MARKING

The Kiwa®-mark products are marked with the wordmark "KIWA"

Place of the mark:

- on the body.

Compulsory specifications:

- name or mark of the manufacturer;
- flow rate class.

Method of marking:

- non-erasable;
- visible after assembly.

RECOMMENDATIONS FOR CUSTOMERS

Check at the time of delivery whether:

- the supplier has delivered in accordance with the agreement;
- the mark and the marking method are correct;
- the products show no visible defects as a result of transport etc.

If you should reject a product on the basis of the above, please contact:

- Broen-Lab A/S
- and, if necessary,
- Kiwa Nederland B.V.

Consult the supplier's processing guidelines for the proper storage and transport methods.